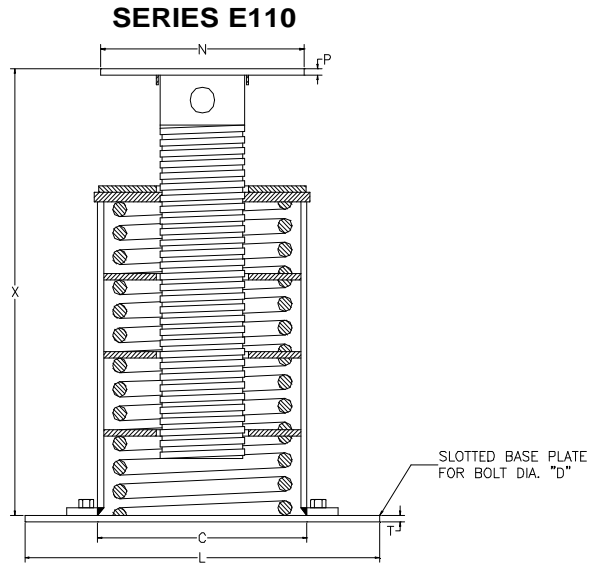


AAA TECHNOLOGY & SPECIALTIES CO., INC.



TYPE F

1. The casing diameters shown for each spring hanger size are for all Types of spring hangers.
2. The casing lengths shown are for Types A, B, C, D, E and G only.
3. The installed lengths are given for the mid range load settings.
4. Guided load columns are available for cases where significant lateral loads are applied to the spring hanger.
5. When significant lateral loads are applied to the spring hanger, low friction load bearings can be adhered to the load flange and the mating member above the load flange or a roller can be used to allow pipe movement.
6. Extended load columns are available where taller installed lengths are required.

HANGER SIZE	LOAD RATING (LBS)	WEIGHT APPROX EACH (LBS)	CASING OUTSIDE DIA C (IN)	BASE PLATE					INSTALLED HT. X		LOAD COLUMN DIA. (IN)	LOAD FLANGE	
				SQUARE L (IN)	THK. T (IN)	BOLT CIRCLE		BOLT DIA. D (IN)	MIN. (IN)	MAX. (IN)		SQUARE N (IN)	THK. (IN)
						MIN. (IN)	MAX. (IN)						
000	19	27	4	7 1/2	1/4	7	8 3/4	5/8	22 1/2	32 1/2	1.9	4	3/16
00	45	28	4	7 1/2	1/4	7	8 3/4	5/8	22 1/2	32 1/2	1.9	4	3/16
0	69	30	4	7 1/2	1/4	7	8 3/4	5/8	22 1/2	32 1/2	1.9	4	3/16
1	100	34	4	7 1/2	1/4	7	8 3/4	5/8	25 3/4	35 3/4	1.9	4	3/16
2	128	36	4	7 1/2	1/4	7	8 3/4	5/8	28 3/4	38 3/4	1.9	4	3/16
3	166	50	5 9/16	7 1/2	1/4	7 3/4	8 3/4	3/4	25	35	2 7/8	5	3/16
4	223	56	5 9/16	7 1/2	1/4	7 3/4	8 3/4	3/4	27 1/4	37 1/4	2 7/8	5	3/16
5	299	63	5 9/16	7 1/2	1/4	7 3/4	8 3/4	3/4	30 7/16	40 7/16	2 7/8	5	3/16
6	399	92	6 5/8	9	3/8	8	10 7/8	3/4	30 5/16	40 5/16	2 7/8	6	1/4
7	532	110	6 5/8	9	3/8	8	10 7/8	3/4	33 11/16	43 11/16	2 7/8	6	1/4
8	713	116	6 5/8	9	3/8	8	10 7/8	3/4	36 1/8	46 1/8	2 7/8	6	1/4
9	950	197	8 5/8	13 1/4	1/2	10 9/16	16 1/2	3/4	36 5/16	46 5/16	4 1/2	8	1/2
10	1235	218	8 5/8	13 1/4	1/2	10 9/16	16 1/2	3/4	41 7/16	51 7/16	4 1/2	8	1/2
11	1615	196	8 5/8	13 1/4	1/2	10 9/16	16 1/2	3/4	32 5/8	42 5/8	4 1/2	8	1/2
12	2138	209	8 5/8	13 1/4	1/2	10 9/16	16 1/2	3/4	35 1/4	45 1/4	4 1/2	8	1/2
13	2850	268	8 5/8	13 1/4	1/2	10 9/16	16 1/2	3/4	45 7/16	55 7/16	4 1/2	8	1/2
14	3800	272	8 5/8	13 1/4	1/2	10 9/16	16 1/2	3/4	45 11/16	55 11/16	4 1/2	8	1/2
15	5130	290	8 5/8	13 1/4	1/2	10 9/16	16 1/2	3/4	45 11/16	55 11/16	4 1/2	8	1/2
16	7125	352	8 5/8	13 1/4	1/2	10 9/16	16 1/2	3/4	55	65	4 1/2	8	1/2
17	9500	420	8 5/8	13 1/4	1/2	10 9/16	16 1/2	3/4	63 3/16	73 3/16	4 1/2	8	1/2
18	12645	797	12 3/4	17 1/4	5/8	15 3/4	22	3/4	60 1/16	70 1/16	5 9/16	12	1/2
19	16805	902	12 3/4	17 1/4	5/8	15 3/4	22	3/4	69 1/16	79 1/16	5 9/16	12	1/2
20	22325	1180	12 3/4	17 1/4	5/8	15 3/4	22	3/4	82 1/16	92 1/16	5 9/16	12	1/2
21	29688	1284	12 3/4	17 1/4	5/8	15 3/4	22	3/4	91 7/16	101 7/16	5 9/16	12	1/2
22	39591	1620	12 3/4	17 1/4	5/8	15 3/4	22	3/4	115 3/8	125 3/8	5 9/16	12	1/2