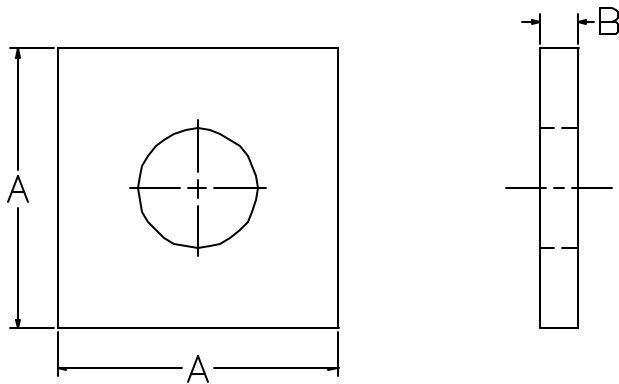


# AAA TECHNOLOGY & SPECIALTIES CO., INC.

**FIG. 448**  
**SQUARE WASHER**



**APPLICATION:** Square Washers are used on back-to-back channels or angles for supporting pipe with rods or U-Bolts. A Square Washer is a lighter version of the Figure 509 Washer Plate.

**CONSTRUCTION:** Square Washer are made of carbon steel with the hole located in the center of the plate.

**FINISHES AVAILABLE:** Black, Hot Dip Galvanized, Electro-Plated or Painted.

**ORDERING:** Specify figure number, rod diameter, name and finish, if other than black.

**EXAMPLE:** Fig. 448, 5/8", Square Washer, Painted.

ROD SIZE	HOLE SIZE	A	B	APPROX. WT./100
3/8	7/16	2	1/4	27
1/2	9/16	2	1/4	27
5/8	11/16	2 - 1/2	1/4	47
3/4	13/16	2 - 1/2	1/4	42
7/8	15/16	3	3/8	85
1	1 - 1/8	4	3/8	160