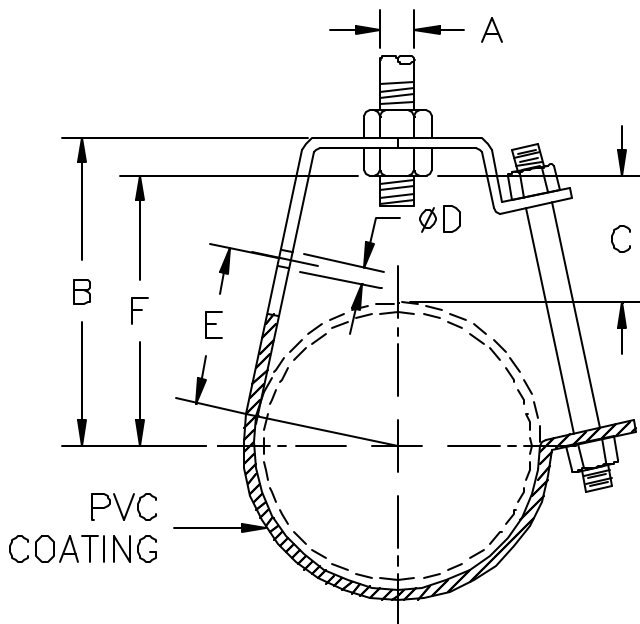


AAA TECHNOLOGY & SPECIALTIES CO., INC.

FIG. 627
PVC COATED J HANGER FOR PIPE OR CONDUIT



APPLICATION: A PVC Coated J-Hanger for Pipe or Conduit is recommended for the suspension of non-insulated piping systems where: 1.) electrolysis between the pipe and the hanger are of a concern or 2.) noise and/or vibration of the piping system is a problem. The side closure bolt enables contractors to easily insert pipe into the hanger and make the closure.

CONSTRUCTION: A PVC Coated J-Hanger for Pipe or Conduit consists of a piece of carbon steel shaped to the proper configuration and a side bolt with a nut. The support strap is coated with PVC to a point just above the centerline of the pipe.

FINISHES AVAILABLE: Electro-Plated before shaped then PVC coated.

ORDERING: Specify figure number, nominal pipe diameter and name.

EXAMPLE: Fig. 627, 2 1/2", PVC Coated J-Hanger.

NOM. PIPE DIA.	MAX. REC. LOAD (LBS.)	A (IN)	B (IN)	C (IN)	D (IN)	E (IN)	F (IN)	WT. 100 PCS.
1/2	400	3/8	2 5/8	1 3/4	7/16	1 1/2	1 15/16	18
3/4	400	3/8	2 7/8	1 7/8	7/16	1 11/16	2 1/8	21
1	400	3/8	2 15/16	1 15/16	7/16	1 13/16	2 15/16	22
1 1/4	400	3/8	3 1/4	2	7/16	2 1/16	2 5/8	25
1 1/2	400	3/8	3 9/16	2 3/16	7/16	2 7/16	2 7/8	27
2	400	3/8	3 11/16	2 1/8	7/16	2 9/16	3 1/16	29
2 1/2	500	1/2	4 7/16	2 7/16	9/16	3 3/16	3 5/8	64
3	500	1/2	4 13/16	2 9/16	9/16	3 1/2	4 1/16	72
3 1/2	500	1/2	5 1/8	2 5/8	9/16	3 3/4	4 3/8	84
4	550	5/8	6 1/8	3 3/16	9/16	4 5/8	5 3/16	138
5	550	5/8	6 3/4	3 1/4	9/16	5 1/16	5 3/4	162
6	600	3/4	7 3/4	3 9/16	9/16	5 13/16	6 5/8	249
8	760	7/8	9 3/16	3 15/16	9/16	6 15/16	8	291
10	760	7/8	10 3/4	3 7/8	9/16	7 5/8	9 1/8	315