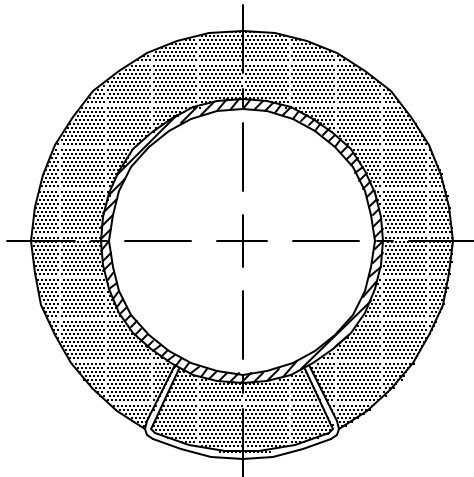
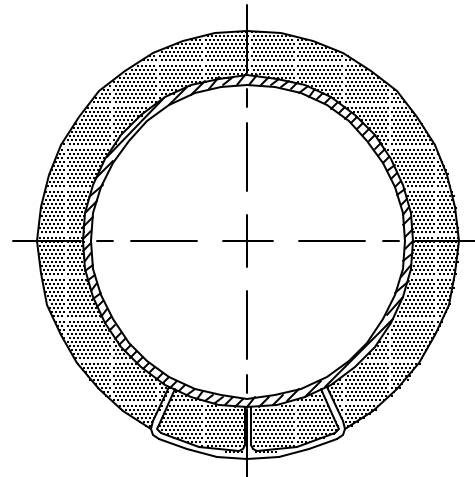


AAA TECHNOLOGY & SPECIALTIES CO., INC.

FIG. 845
PIPE COVERING PROTECTION SADDLE
1 1/2" THK. INSULATION



3/4" - 10" PIPE



12" - 24" PIPE

NOM. PIPE DIA. (IN)	INSUL. THK. (IN)	INSUL. O.D. (IN)	ROLL SIZE	FIG. 806 ROLL DIM.		ROLL SIZE	FIG. 824 ROLL DIM.		WT. PER 100 (LBS)
				A (IN)	B (IN)		A (IN)	B (IN)	
3/4	1.4750	4	3 1/2	2 7/8	2 5/16	1	3	2 5/16	210
1	1.5925	4.5	4	3	2 3/8	2	3 1/8	2 3/8	210
1 1/4	1.6700	5	5	3 1/4	2 5/8	2	3 3/8	2 5/8	210
1 1/2	1.5500	5	5	3 5/16	2 3/4	2	3 7/16	2 3/4	210
2	1.5940	5.5625	5	3 11/16	3	2	3 3/4	3	240
2 1/2	1.8750	6.625	6	4 1/4	3 3/8	2	4 3/16	3 3/8	240
3	1.5625	6.625	6	4 1/2	3 3/4	2	4 9/16	3 3/4	275
3 1/2	1.8125	7.625	7	4 15/16	3 15/16	3	4 3/4	3 15/16	300
4	1.5625	7.625	7	5	4 3/16	3	5	4 3/16	300
5	1.5313	8.625	8	5 1/2	4 3/4	3	5 9/16	4 3/4	300
6	1.5000	9.625	9	5 7/8	5 1/16	3	5 15/16	5 1/16	440
8	1.5625	11.75	11	7 1/4	6 3/16	4	7 3/16	6 3/16	590
10	1.6250	14	14	8 1/2	7 1/4	4	8 5/16	7 1/4	590
12	1.6250	16	16	9 5/8	8 1/4	5	9 5/16	8 1/4	780
14	1.5000	17	18	10 5/16	8 13/16	5	10 1/16	8 13/16	780
16	1.5000	19	20	11 3/8	9 3/4	5	11 1/16	9 3/4	850
18	1.5000	21	24	12 9/16	10 3/4	6	12 1/16	10 3/4	910
20	1.5000	23	24	13 5/8	11 3/4	6	12 1/8	11 3/4	1040
24	1.5000	27	30	16	13 3/4	7	15 1/4	13 3/4	1180
30	1.5000	33	36	19 1/4	16 3/4	8	18 1/2	16 3/4	1330
36	1.5000	39	-	-	20 3/16	9	21 1/16	20 3/16	1700