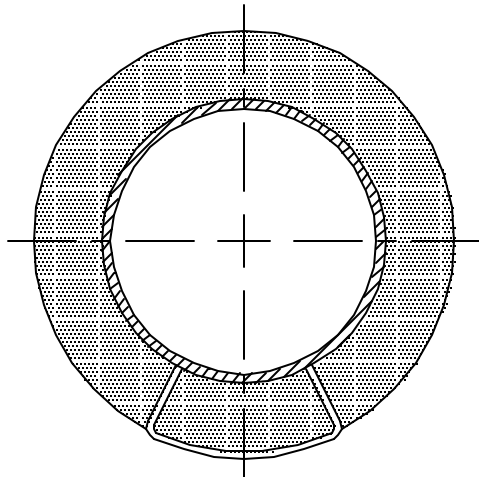
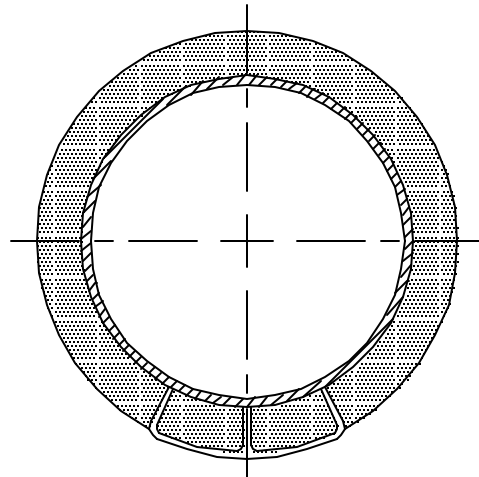


AAA TECHNOLOGY & SPECIALTIES CO., INC.

**FIG. 857
PIPE COVERING PROTECTION SADDLE
3" THK. INSULATION**



3/4" - 10" PIPE



12" - 24" PIPE

NOM. PIPE DIA. (IN)	INSUL. THK. (IN)	INSUL. O.D. (IN)	ROLL SIZE	FIG. 806 ROLL DIM.		ROLL SIZE	FIG. 824 ROLL DIM.		WT. PER 100 (LBS)
				A (IN)	B (IN)		A (IN)	B (IN)	
3/4	4.2875	9.625	10	5 7/8	5	3	5 3/4	5	350
1	4.1550	9.625	10	5 7/8	5	3	5 3/4	5	350
1 1/4	3.9825	9.625	10	5 7/8	5	3	5 3/4	5	350
1 1/2	4.4250	10.75	10	6 7/16	5 9/16	3	6 1/2	5 9/16	440
2	4.1875	10.75	10	6 7/16	5 9/16	3	6 1/2	5 9/16	440
2 1/2	4.4375	11.75	12	7 1/8	6 1/16	4	7	6 1/16	440
3	4.1250	11.75	12	7 1/8	6 1/16	4	7	6 1/16	440
3 1/2	4.3750	12.75	12	7 3/4	6 5/8	4	7 9/16	6 5/8	610
4	4.1250	12.75	12	7 3/4	6 5/8	4	7 9/16	6 5/8	610
5	4.2188	14	14	8 1/8	7 3/16	4	8 3/16	7 3/16	610
6	4.1875	15	16	9 1/8	7 11/16	5	8 7/8	7 11/16	1020
8	4.1875	17	18	10 1/8	8 11/16	5	10	8 11/16	1020
10	4.1250	19	20	11 1/4	9 11/16	5	11 1/16	9 11/16	1080
12	4.1250	21	24	12 9/16	10 3/4	6	12 1/4	10 3/4	1400
14	4.0000	22	24	13 1/4	11 3/8	6	12 7/8	11 3/8	1400
16	4.0000	24	24	14 3/16	12 5/16	6	13 3/4	12 5/16	1520
18	4.0000	26	30	15 3/16	13 5/16	7	14 3/4	13 5/16	1520
20	4.0000	28	30	16 9/16	14 5/16	7	15 13/16	14 5/16	1700
24	4.0000	32	-	18 7/8	16 5/16	8	17 13/16	16 5/16	1830
30	4.0000	38	-	-	19 5/16	9	21 5/16	19 5/16	2040
36	4.0000	44	-	-	22 3/8	9	24 5/8	22 3/8	2230