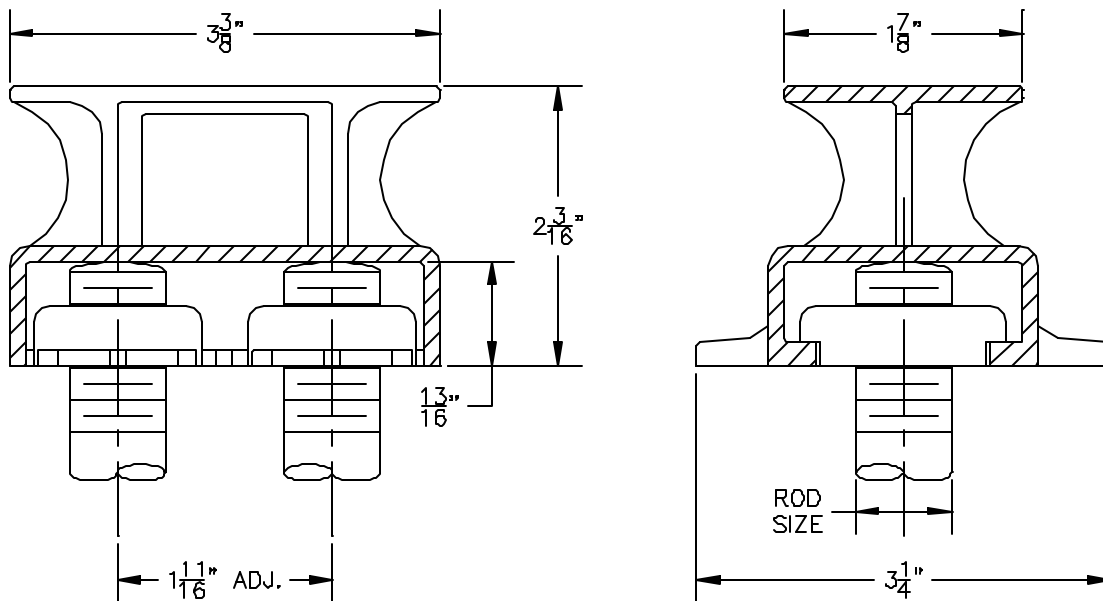


AAA TECHNOLOGY & SPECIALTIES CO., INC.

FIG. 912
CB-UNIVERSAL CONCRETE INSERT



APPLICATION: Fig. 912 CB-Universal Concrete Insert is designed to be embedded in concrete ceilings and used as an attachment point for equipment, pipe supports or structural steel.

INSTALLATION: To install this unit properly, place the insert face down on the concrete form and nail it in place. Reinforcing rods may be placed through the open area at the top of the insert. Insert Fig. 915 Concrete Insert Nuts in the open area at the base of the insert and turn them 90 degrees to seat them properly. Then thread the hanger rods into the Fig. 915 Concrete Insert Nuts until they are tightly in place. Fig. 915 Concrete Insert Nuts must be ordered separately.

CONSTRUCTION: A Fig. 912 CB-Universal Concrete Insert is constructed of malleable iron and is furnished in diameters from 3/8 through 7/8 inch.

FINISHES AVAILABLE: Black or Electro-Plated.

ORDERING: Specify figure number, rod diameter and name.

EXAMPLE: Fig. 912, 5/8" diameter, CB-Universal Concrete Insert.

ROD DIA.	MAX. REC. LOAD (LBS)*	APPROX. WT./100
3/8	610	130
1/2	1130	130
5/8	1140	130
3/4	1140	130
7/8	1140	130

*Based on insert and nut only with minimum safety factor of 5.

Rating is subject to the condition that the concrete used is of sufficient strength to hold the insert.