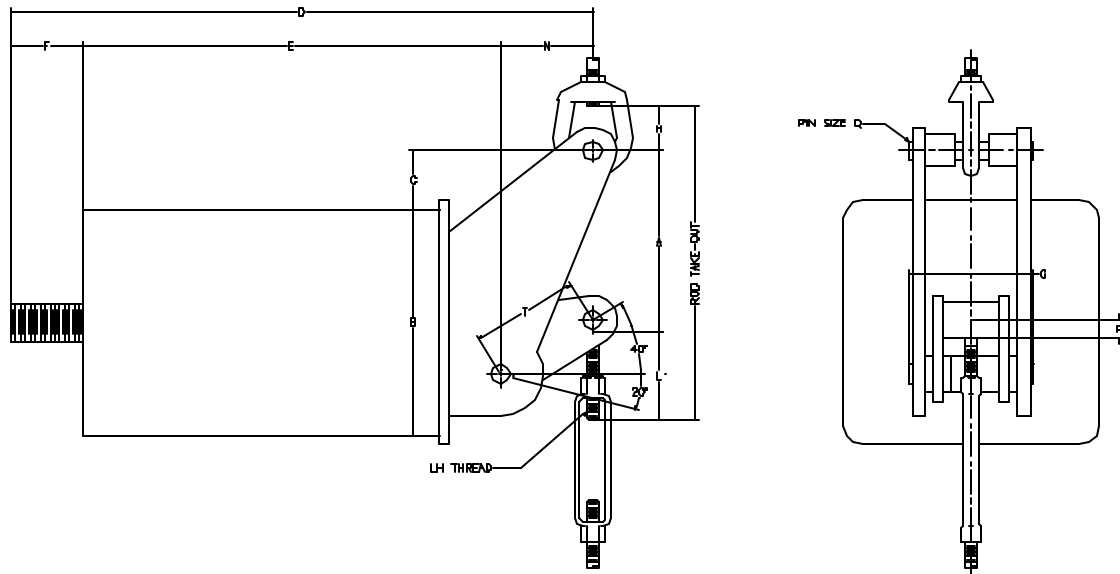


# AAA TECHNOLOGY & SPECIALTIES CO., INC.

## S TYPE SINGLE SUSPENSION



The single suspension type hanger is designed for use with a single rod top connection. When the S-type EqualBalance is suspended by a single rod, the entire unit may be rotated 360° to avoid interference. When headroom is limited, an alternate top connection can be furnished which attaches directly to the building structure (See below). The S-type EqualBalance is available for loads from 19 through 20,117 pounds and total travels from 1 ½ through 14 inches. See pages [1 through 9](#) for complete selection and ordering data.

SIZE	TOTAL TRAVEL (IN)	STD. ROD DIA. (IN)	B (IN)	E (IN)	F (IN)	G (IN)	K (IN)	P (IN)	Q (IN)	APPROX. WEIGHT (LBS.)	
										NET	SHIPPING
1 - 9	1 1/2 - 20	1/2 & 5/8	5 9/16	12 3/16	3 11/16	2 7/8	2 5/8	9/16	7/8	35	60
10 - 24	1 1/2 - 20	1/2 - 1 1/4	9 5/8	15 1/2	4 1/4	4 1/8	3 3/8	7/8	1 1/4	135	180
25 - 30	2 - 20	5/8 - 1 1/4	11 3/4	16 9/16	4 5/8	4 5/8	3 5/8	1	1 3/8	180	225
31 - 34	2 1/2 - 20	3/4 - 1 1/4	12 3/4	17 9/16	5 1/16	4 5/8	4 1/8	1 3/16	1 1/2	255	325
35 - 44	2 1/2 - 20	3/4 - 2	14	24 5/8	6 1/8	6 1/4	5 5/8	1 7/16	2	390	460
45 - 50	3 - 20	1 - 2 1/4	14	28 7/8	6 1/2	6 1/2	5 5/8	1 9/16	2	530	600