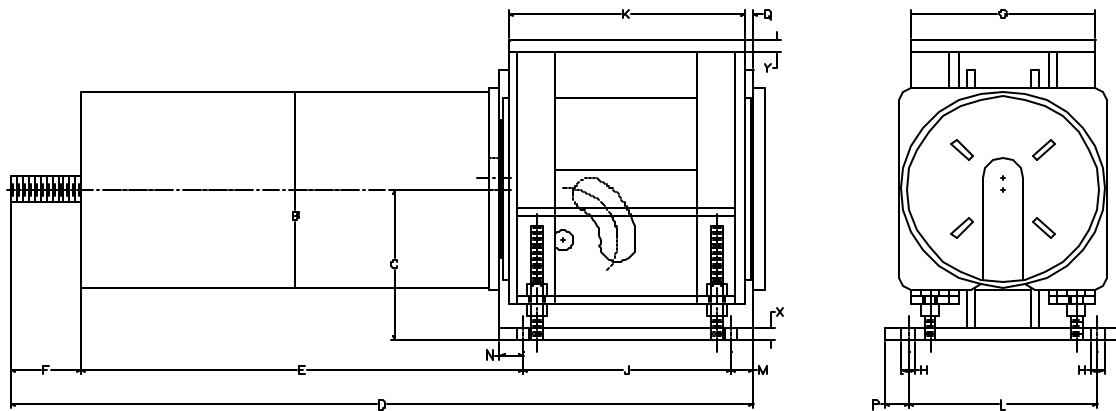


AAA TECHNOLOGY & SPECIALTIES CO., INC.

U TYPE UPTHRUST



The Upthrust support is designed for use when the pipe must be supported from below. The Utype EqualBalance may be attached to the supporting structure, either by bolting or welding. Attachment to the top plate shall be made with a sliding type connection (See General Note No.1). Positive low friction vertical alignment is maintained by 20 cam followers pressed into accurately machined holes. The U-type EqualBalance is available for loads from 34 through 20,117 pounds and travels from 1 ½ through 10 inches. See pages [1 through 9](#) for complete selection and ordering data.

SIZE	TOTAL TRAVEL (IN)	B (IN)	MAX. D (IN)	E (IN)	F (IN)	G (IN)	H (IN)	J (IN)	K (IN)
1 - 9	1 1/2 - 6	5 9/16	24 15/16	12 1/4	3 11/16	8	9/16	6	9
10 - 24	2 - 6	9 5/8	29	15 1/2	4 1/4	10	9/16	6	10
25 - 30	2 1/2 - 8	11 3/4	33 3/8	16 1/2	4 5/8	13	11/16	8	12 1/2
31 - 34	2 1/2 - 8	12 3/4	35 1/16	17 1/2	5 1/16	13	13/16	8	13
35 - 44	3 - 10	14	45 3/8	24 5/8	6 1/8	15	13/16	10	14 3/4
45 - 50	3 - 10	14	50 1/2	29	6 1/2	15	13/16	10	16
51 - 55	3 1/2 - 12	16	53 7/8	30 1/16	7	17 1/2	1 1/8	15	18
56 - 57	4 - 12	18	59 1/4	32 13/16	7 3/8	19 7/8	1 1/8	15 1/2	20
58 - 60	4 1/2 - 12	18	62 1/8	34 7/8	7 7/8	20 1/4	1 1/8	16	20 1/2

SIZE	L (IN)	M (IN)	N (IN)	P (IN)	Q (IN)	X (IN)	Y (IN)	APPROX. WEIGHT (LBS.)	
								NET	SHIPPING
1 - 9	6 3/8	2 3/8	1 3/8	13/16	3/8	1/4	1/2	50	75
10 - 24	8	3 1/4	1 5/8	1	7/16	1/2	3/4	195	240
25 - 30	9 3/4	4 1/4	1 13/16	1 1/2	3/4	5/8	3/4	335	375
31 - 34	10 1/2	4 1/2	2 1/16	1 1/2	3/4	3/4	3/4	405	485
35 - 44	12 1/8	4 5/8	2 1/2	1 1/8	1 3/16	3/4	1	640	775
45 - 50	12 3/8	5	3	1 13/16	1	1	1	850	930
51 - 55	13 1/2	1 13/16	3 3/16	2 1/4	1	1 1/4	1 1/4	950	1170
56 - 57	16 1/2	3 9/16	3 7/16	2 1/4	1 1/4	1 1/4	1 1/4	1290	1510
58 - 60	16 1/2	3 3/8	3 5/8	2 1/4	1 1/4	1 1/4	1 1/4	1560	1780