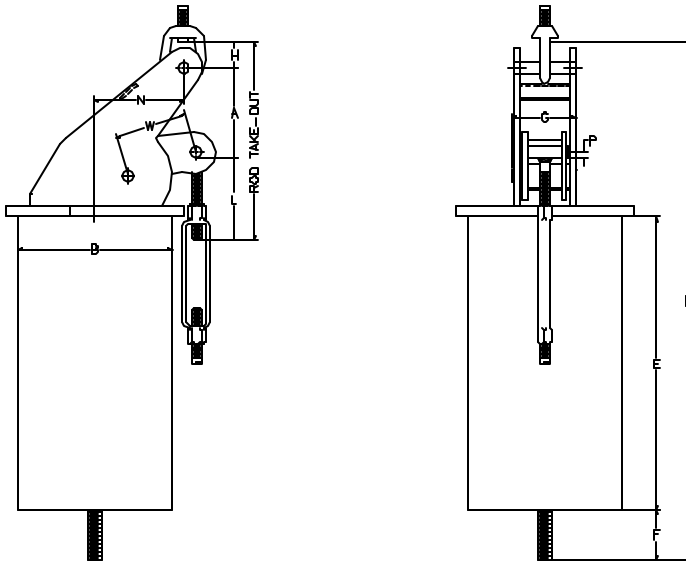


AAA TECHNOLOGY & SPECIALTIES CO., INC.

V TYPE VERTICAL



The vertical type hanger is designed for use when space limitations restrict the use of a model with a horizontal spring casing. The V-type EqualBalance is a single suspension hanger designed for use with a single rod top connection. When a single top rod is used, the entire unit may be rotated 360° to avoid interference. When headroom is limited, an alternate top connection can be furnished which attaches directly to the building structure (See below). The V-type EqualBalance is available for loads from 19 through 37,500 pounds and for travels from 1 ½ through 18 inches. See pages [1 through 9](#) for complete selection and ordering data.

SIZE	TOTAL TRAVEL (IN)	STD. ROD DIA. (IN)	A* (IN)	B (IN)	E (IN)	F (IN)	G (IN)	K (IN)	P (IN)	Q (IN)	APPROX. WEIGHT (LBS.)	
											NET	SHIPPING
1 - 9	1 1/2 - 2 3/8	1/2 - 5/8	3 9/16	5 9/16	10 7/8	3 11/16	2 15/16	2 5/8	9/16	7/8	35	60
	2 1/2 - 20	1/2										
10 - 24	2 - 3 7/8	5/8 - 1	4 1/8	9 5/6	13 7/8	4 1/4	4 3/16	3 3/8	7/8	1 1/4	145	190
	4 - 20	5/8 - 3/4										
25 - 30	2 - 5 7/8	5/8 - 1 1/4	5	11 3/4	14 3/4	4 5/8	4 5/8	3 5/8	1	1 3/8	180	225
	6 - 20	5/8 - 3/4										
31 - 34	3 - 6 7/8	5/8 - 1 1/4	5 11/16	12 3/4	15 1/2	5 1/16	4 5/8	4 1/8	1 3/16	1 1/2	245	325
	7 - 20	5/8 - 1										
35 - 44	3 - 6 3/8	1 - 1 3/4	6 7/16	14	22 1/8	6 1/8	6 1/4	5 5/8	1 7/16	2	410	490
	6 1/2 - 20	5/8 - 1 1/4										
45 - 50	4 - 7 7/8	1 1/4 - 1 3/4	7 1/8	14	26	6 1/2	6 1/2	5 5/8	1 9/16	2	615	750
	8 - 20	1 - 1 1/4										
51 - 55	4 - 8 3/8	1 1/4 - 2	7 9/16	16	26 7/8	7	7	5 1/2	1 9/16	2 1/4	740	875
	8 1/2 - 20	1 1/4 - 1 1/2										
56 - 57	5 - 9 3/8	1 1/2 - 2	8 1/2	18	29 3/8	7 3/8	8 7/8	5 1/2	2	2 1/4	990	1125
	9 1/2 - 20	1 1/4 - 1 1/2										
58 - 60	5 - 8 7/8	1 3/4 - 2 1/4	9 1/16	18	31 1/4	7 7/8	8 7/8	6 1/8	2	2 1/2	1185	1325
	9 - 20	1 1/4 - 1 3/4										
61 - 62	6 - 10 7/8	1 3/4 - 2 1/4	10 1/4	18	32	8 3/8	10	7 1/4	2 1/4	2 3/4	1600	1800
	11 - 20	1 1/4 - 1 3/4										
63 - 66	6 - 10 7/8	2 - 2 3/4	11 1/4	22	36 7/8	8 3/4	10	7 5/8	2 1/4	3	2400	2660
	11 - 20	1 1/2 - 2 1/4										
67 - 70	6 - 11 7/8	2 1/4 - 3 1/4	12 5/16	22	48 3/4	9 1/2	10 1/2	7 3/4	2 1/4	3 1/2	2540	2800
	12 - 20	2 1/4 - 3 1/4										
71 - 72	6 - 12 7/8	2 1/2 - 3 3/4	13 1/2	20	58 1/2	9 7/8	12 1/2	8 3/8	2 1/2	4	3355	3615
	13 - 20	2 - 2 3/4										
73 - 74	6 - 12 7/8	2 3/4 - 4	14 5/8	18	49 1/2	10 5/8	12 1/2	8 5/8	2 5/8	4 1/4	4475	4735
	13 - 20	2 1/4 - 3										

TYPE V-1