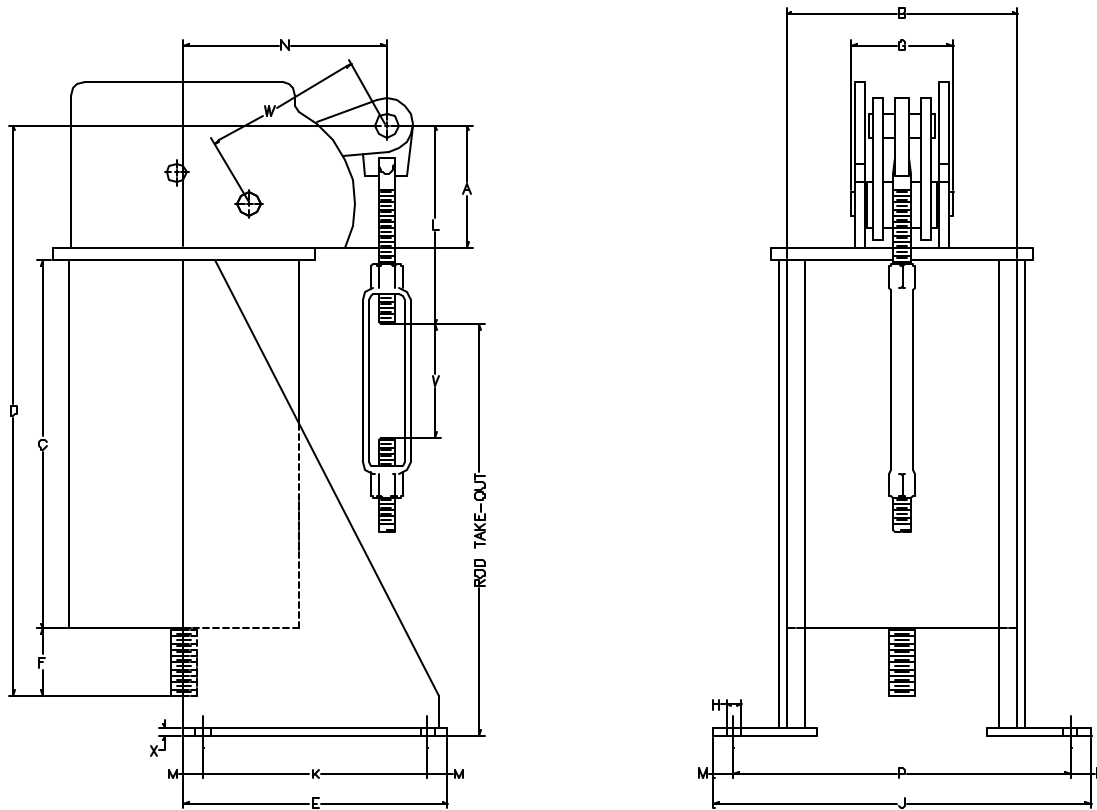


# AAA TECHNOLOGY & SPECIALTIES CO., INC.

## VB TYPE VERTICAL BASE STANCHION



The vertical base stanchion is designed for use when the pipe must be supported from below with a strut, or from above the supporting structure. The VBS-type EqualBalance may be attached to the supporting structure, either by bolting or welding. The VBS-type EqualBalance is available for loads from 19 through 37,501 pounds and travels from 3 through 18 inches. See pages [1 through 9](#) for complete selection and ordering data.

SIZE	TOTAL TRAVEL (IN)	B (IN)	C (IN)	E (IN)	F (IN)	G (IN)	H (IN)	J (IN)	K (IN)	M (IN)	P (IN)	S (IN)	X (IN)	Y (IN)	APPROX. WEIGHT, LBS.	
															NET	SHIPPING
1 - 9	3 - 10	5 9/16	10 7/8	7 3/4	3 11/16	2 15/16	9/16	11	6 1/2	5/8	9 3/4	1/2	1/4	16 5/16	42	67
10 - 24	3 - 10	9 5/8	13 7/8	9 3/4	4 1/4	4 3/16	9/16	14	8 1/2	5/8	12 3/4	7/8	1/2	20 1/4	160	205
25 - 30	3 - 11	11 3/4	14 11/16	13	4 5/8	4 5/8	11/16	18 1/2	11	1	16 1/2	1 1/8	3/4	20 3/4	210	255
31 - 34	3 1/2 - 14	12 3/4	15 1/2	14 1/2	5 1/16	4 5/8	11/16	22 3/4	12 1/2	1	20 3/4	1 3/8	3/4	22 1/2	280	360
35 - 44	3 1/2 - 14	14	22 1/8	15 1/4	6 1/8	6 1/4	15/16	23	12 1/2	1 3/8	20 1/4	1 3/4	1	29 7/8	460	540
45 - 50	4 - 14	14	25 15/16	16 1/2	6 1/2	6 1/2	15/16	23	13 1/2	1 1/2	20	2	1	34	700	835
51 - 55	5 - 14	16	26 7/8	18	7	7	15/16	28 1/4	15	1 1/2	25 1/4	2	1	35 3/8	840	975
56 - 57	6 - 14	18	29 3/8	19 1/2	7 1/4	8 7/8	1 1/16	29 1/2	16	1 3/4	26	2 1/2	1 1/4	38 3/8	1130	1265
58 - 60	6 - 14	18	31 1/8	19 1/2	7 7/8	8 7/8	1 1/16	30 1/2	16	1 3/4	27	2 1/2	1 1/4	40 3/8	1365	1505
61 - 62	6 - 18	18	31 13/16	20 3/4	8 3/8	10	1 1/4	33 1/2	17	1 7/8	29 3/4	2 3/4	1 1/4	41 5/8	1800	2000
63 - 66	6 - 18	22	35 13/16	23	8 3/4	10	1 3/8	34	19	2	30	2 3/4	1 1/2	47 1/8	2715	2975